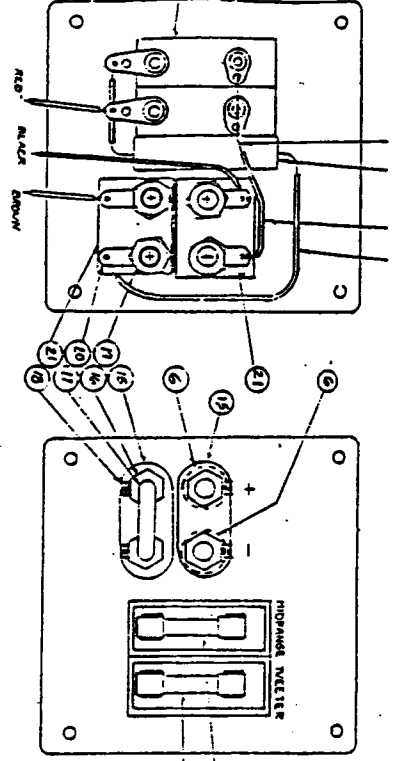
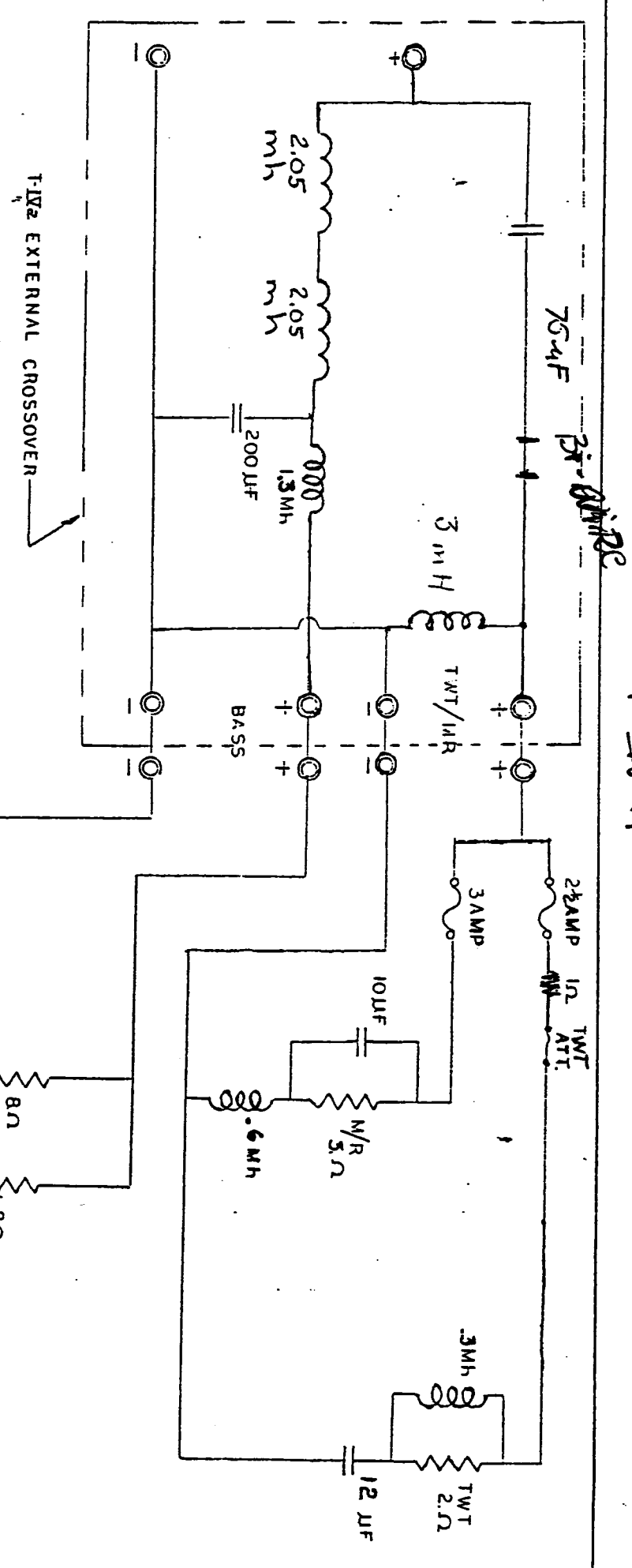
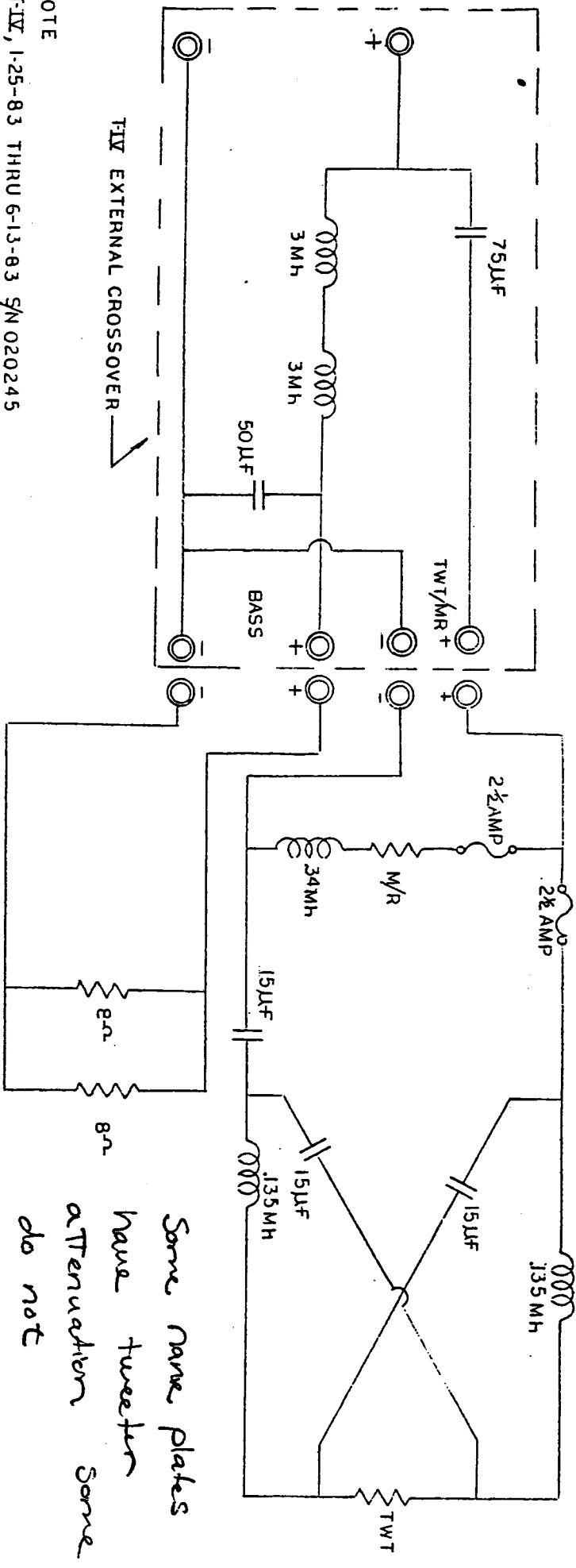


T 10 A



Lp - 18dB/oct @ 850 Hz
 M10 - 12dB/oct 400 Hz - 3000 Hz
 HP - 12dB/oct @ 3700 Hz

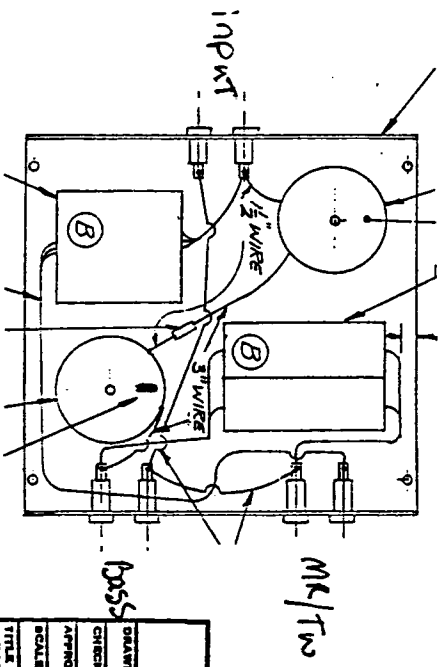
DRAWING NO. 10-10-89 CHECKED BY [Signature] APPROVED BY [Signature]	DATE 10-10-89 REVISIONS SEE D-SH-362 2-2-89
TITLE T-10A ELEC SCHEM.	DRAWING NUMBER B-SH-362



Some name plates
have together
attenuation some
do not

OTE
T-IV, 1-25-83 THRU 6-13-83 S/N 020245

hp -18dB/oct @ 250 Hz
HP -6dB/oct @ 500 Hz
Ribbon @ ± 3,000 Hz



DESIGNED BY	DATE	REVISIONS	DATE
CHECKED BY	10-21-83		
APPROVED BY			
SCALE	NONE	ORIGINAL	DRAWING NUMBER
TITLE	T-IV ELEQ. SCHEM.		